



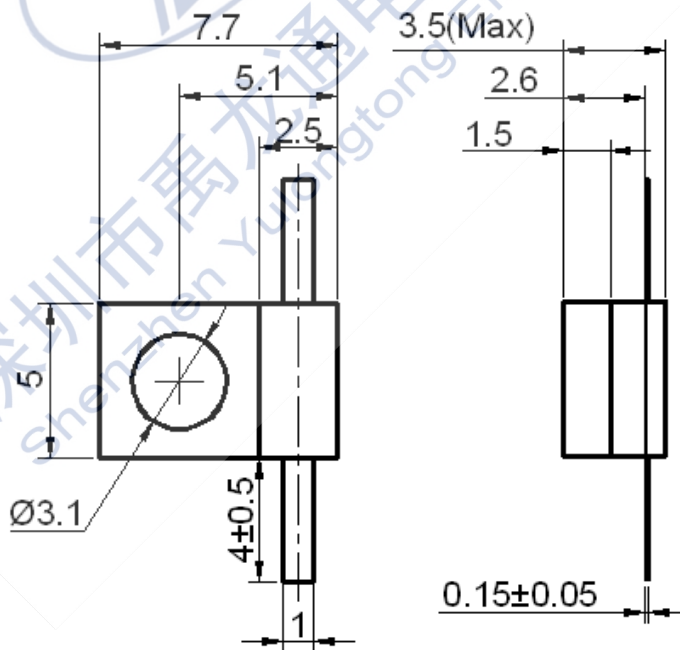
Flange Mount Resistors

Shen Zhen Yulongtong Electron Co.,LTD

Model: RFR300-10RDN0303A

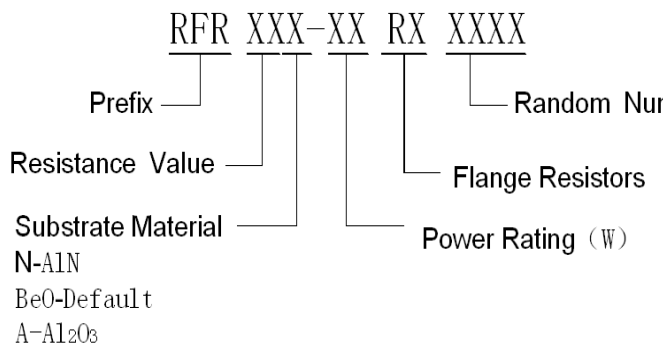
General Specifications

- ◆ Resistance: 300 Ω
- ◆ Substrate Material: BeO
- ◆ Resistance Tolerance: ±5%
- ◆ Power Rating: 10W
- ◆ Operating Temperature range: -55 to +150°C
- ◆ Temperature Coefficient: ≤150ppm/°C

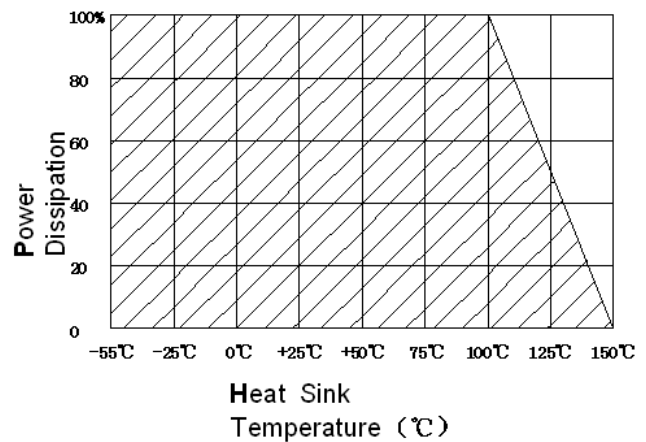


Other Unremarked Dimensions' Tolerance : ±0.25mm

Ordering Information



Power Derating



Tel: 86-755-26801033

web:www.yulongtong.com

email:yulongtong@vip.163.com