



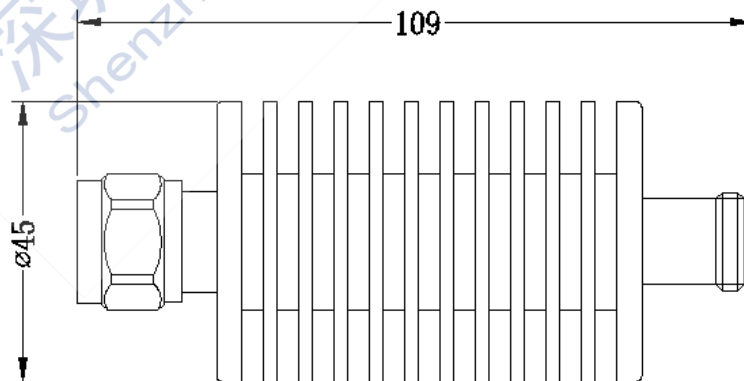
Shen Zhen Yulongtong Electron Co.,LTD

## Attenuators

Model: SJ-RNBB-50-20-6

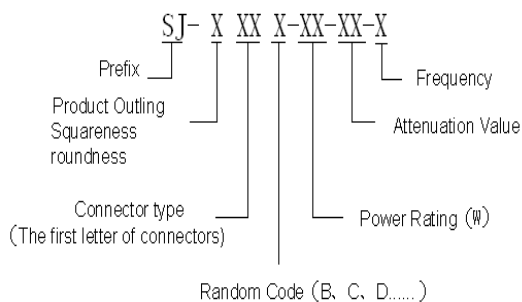
### SPECIFICATIONS

- ◆ Frequency range: DC-6GHz
- ◆ VSWR:  $\leq 1.30: 1$
- ◆ Attenuation value: 20dB
- ◆ Attenuation Tolerance:  $\pm 1.2\text{dB}$
- ◆ Power Rating: 50W
- ◆ Impedance:  $50\ \Omega$
- ◆ Connector: N Male to N Female
- ◆ Operating temperature range:  $-55$  to  $125^\circ\text{C}$
- ◆ Dimension:  $\Phi 45 \times 109$
- ◆ Weight: 245g

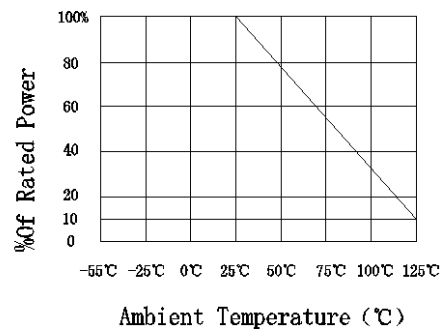


Dimension:mm Dimensions tolerance : $\pm 2\%$

### Ordering Information



### power derating graphs



Tel: 86-755-26801033 fax: 86-0755-26832033

web: [www.yulongtong.com](http://www.yulongtong.com)

email: [yulongtong@vip.163.com](mailto:yulongtong@vip.163.com)