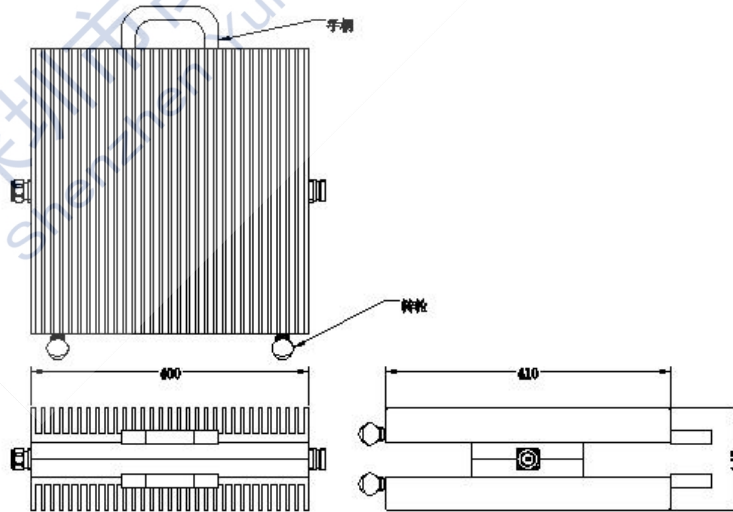




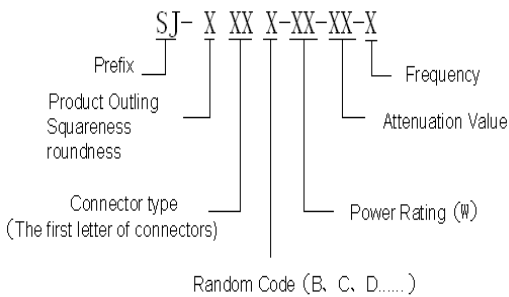
**SPECIFICATIONS**

- ◆ Frequency range: DC-1GHz
- ◆ VSWR: 1.40: 1 max
- ◆ Attenuation value: 6dB
- ◆ Attenuation Tolerance:  $\pm 1.0$ dB
- ◆ Power Rating: 1000W
- ◆ Impedance: 50  $\Omega$
- ◆ Connector: L29 male to L29 Female
- ◆ Operating temperature range: -40 to 85°C
- ◆ Dimension: 400×410×147mm



Dimensions tolerance:  $\pm 2\%$

**Ordering Information**



**power derating graphs**

