



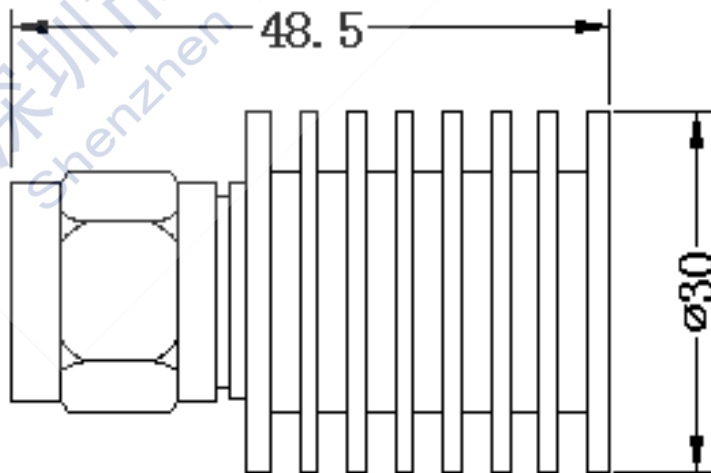
# Coaxial Load

Shen Zhen Yulongtong Electron Co.,LTD

Model: DF-RNQ-10-6

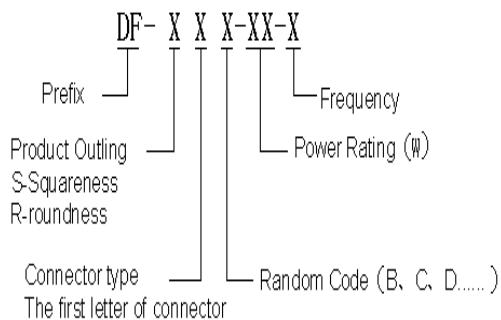
## Specifications

- ◆ Frequency Range: DC-6GHz
- ◆ VSWR:  $\leq 1.30: 1$
- ◆ Impedance: 50 Ohms
- ◆ Power Rating: 10W
- ◆ Connector: N male
- ◆ Temperature Range:  $-55^{\circ}\text{C} \sim +125^{\circ}\text{C}$
- ◆ Dimension:  $\phi 30 \times 48.5$

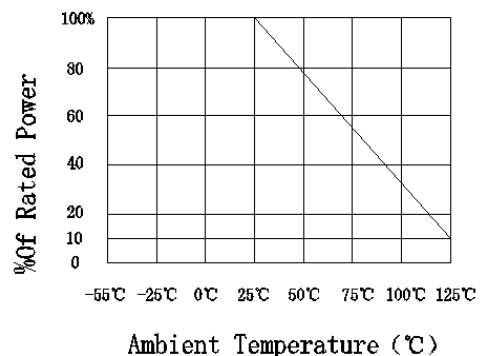


Dimension:mm Dimensions tolerance : $\pm 2\%$

## Ordering Information



## power derating graphs:



Tel: 86-755-26801033 Fax:86-755-26832033

web:[www.yulongtong.com](http://www.yulongtong.com)

email: [yulongtong@vip.163.com](mailto:yulongtong@vip.163.com)