



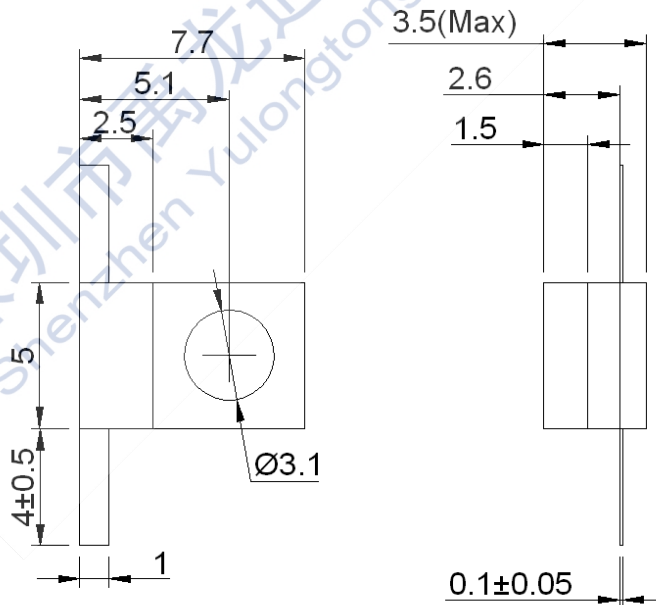
Flange Mount Attenuators

Shen Zhen Yulongtong Electron Co.,LTD

Model: RFR3N-10ADN0302B

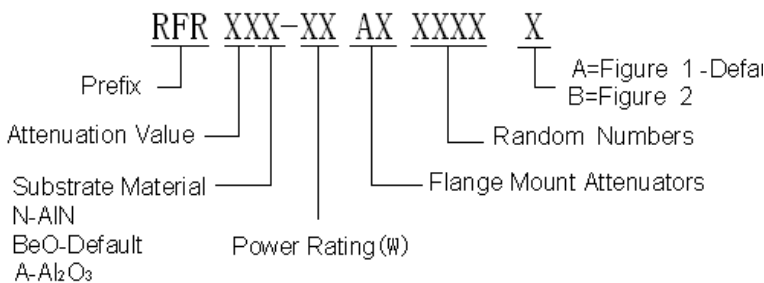
General Specifications

- ◆ Impedance: 50 Ω
- ◆ Power Rating: 10W
- ◆ Substrate Material: ALN
- ◆ Attenuation Value: 3dB
- ◆ Attenuation Tolerance: ±0.6dB
- ◆ Frequency: DC-3GHz
- ◆ VSWR: ≤1.20: 1
- ◆ Operating Temperature range: -55 to +150°C
- ◆ Temperature Coefficient: ≤150ppm/°C
- ◆ RoHS Compliant

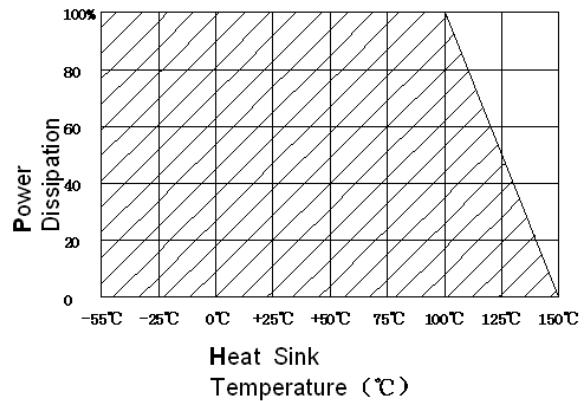


Other Unremarked Dimensions' Tolerance : ±0.25mm

Ordering Information



Power Derating



Tel: 86-755-26801033

web: www.yulongtong.com

email: yulongtong@vip.163.com