



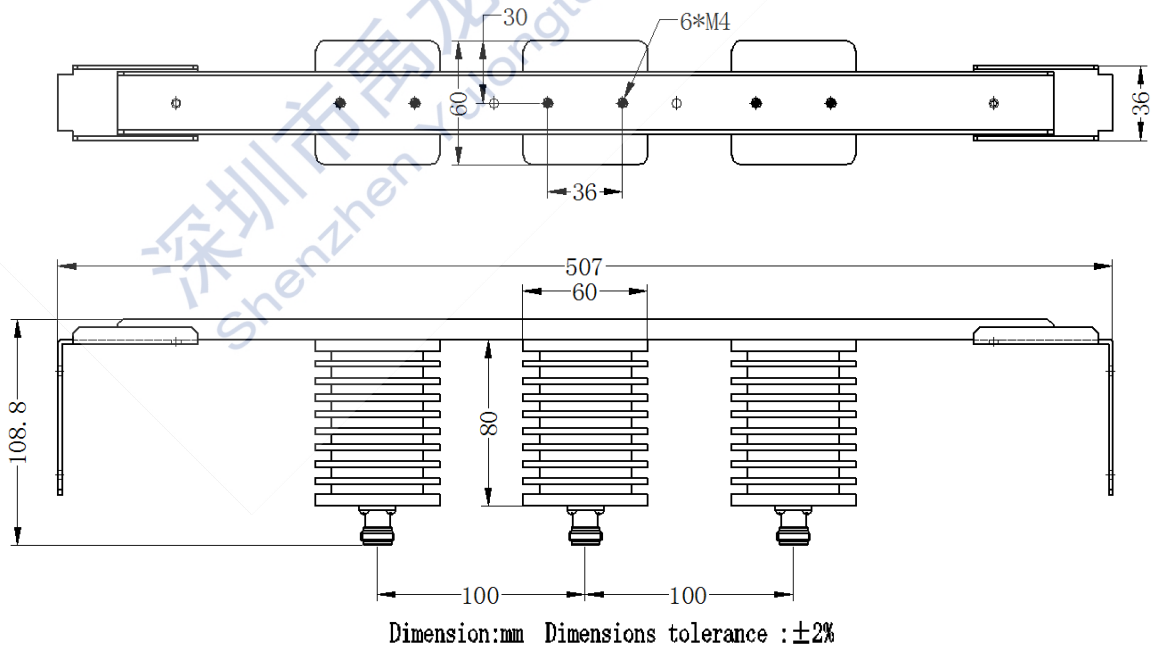
Coaxial Load

Shen Zhen Yulongtong Electron Co.,LTD

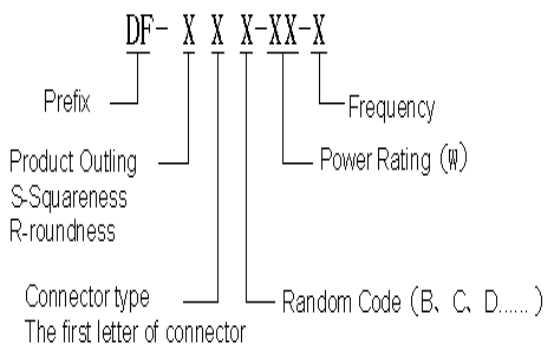
Model: DF-SNXD-50-3

Specifications

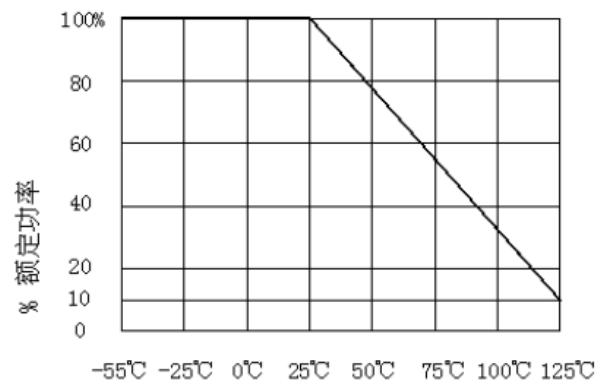
- ◆ Frequency Range: DC-3GHz
- ◆ VSWR: 1.20: 1 Max
- ◆ Impedance: 50 Ohms
- ◆ Power Rating: 50W
- ◆ Connector: N Female
- ◆ Dimension: 507 × 108.8 × 36
- ◆ Temperature Range: -55°C ~ +125°C



Ordering Information



power derating graphs



Tel: 86-755-26801033 fax: 0755-26832033

web: www.yulongtong.com

email: yulongtong@vip.163.com