



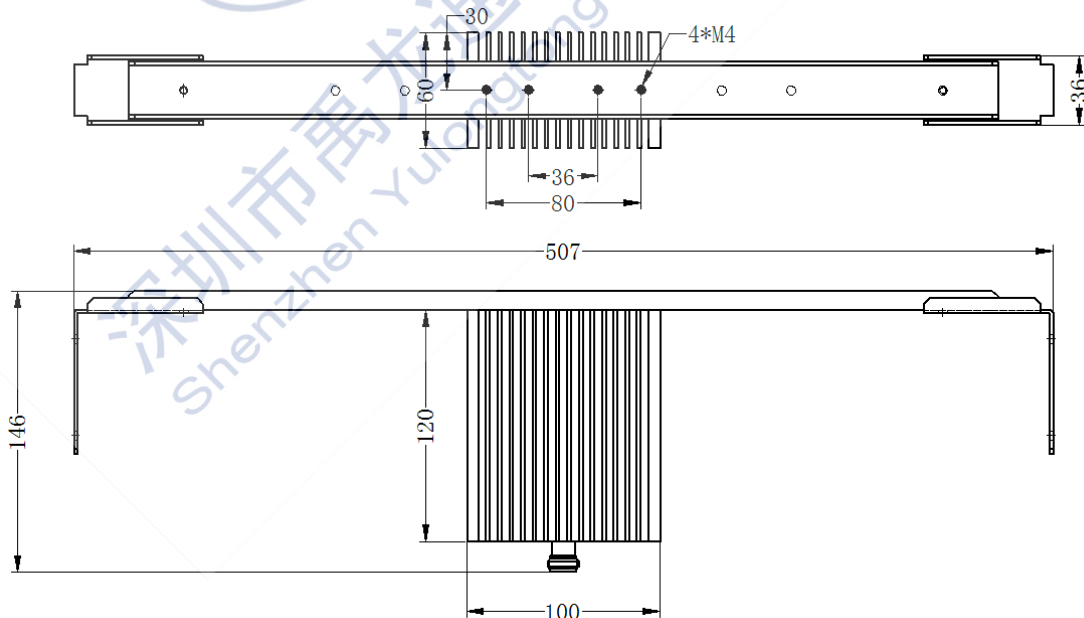
## Coaxial Load

Shen Zhen Yulongtong Electron Co.,LTD

Model: DF-SNXK-100-3

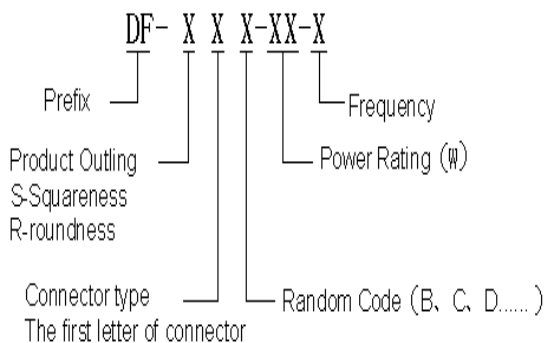
### Specifications

- ◆ Frequency Range: DC-3GHz
- ◆ VSWR: 1.20: 1 Max
- ◆ Impedance: 50 Ohms
- ◆ Power Rating: 100W
- ◆ Connector: N Female
- ◆ Dimension: 507×146×36
- ◆ Temperature Range: -55℃~+125℃

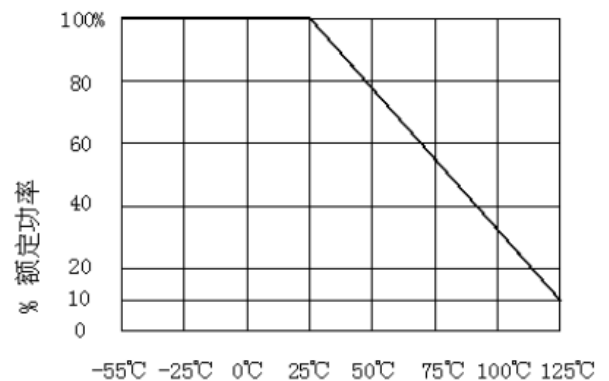


Dimension:mm Dimensions tolerance :±2%

### Ordering Information



### power derating graphs



Tel: 86-755-26801033 fax: 0755-26832033

web:www.yulongtong.com

email: yulongtong@vip.163.com