



# Flange Mount Terminations

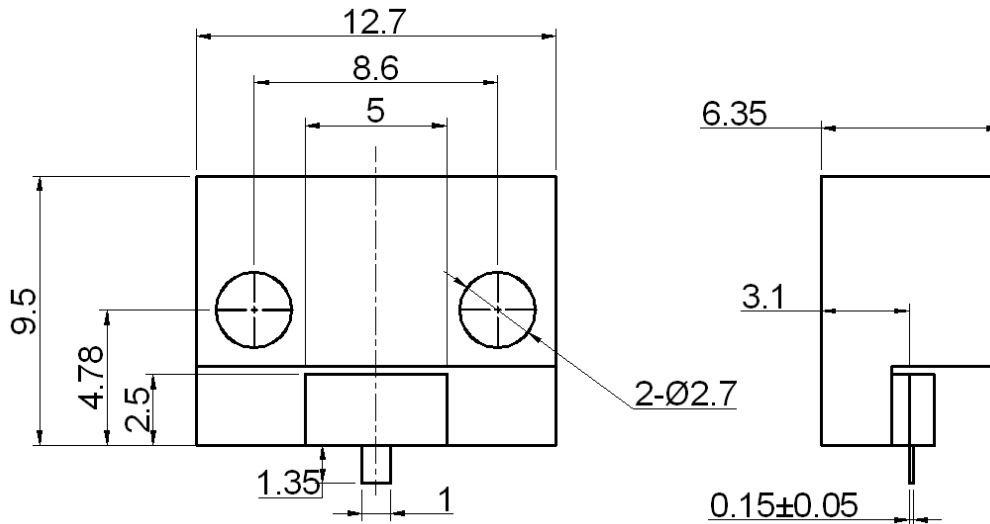
Model: RFR50-15TBDF0431A

Shen Zhen Yulongtong Electron Co.,LTD

Version: B

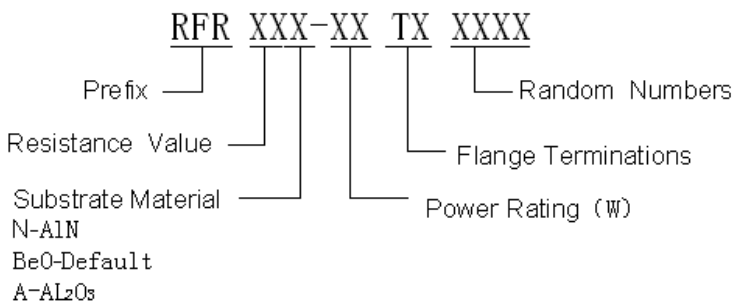
## General Specifications

- ◆ Standard Resistance: 50 Ω
- ◆ Substrate Material: BeO
- ◆ Resistance Tolerance: ±5%
- ◆ Power Rating: 15W
- ◆ Peak Power: 150W (Pulse width 100 microseconds and Duty is 1%)
- ◆ Frequency: DC-18GHz
- ◆ VSWR: ≤ 1.35: 1
- ◆ Operating Temperature range: -55 to +150°C
- ◆ Temperature Coefficient: ≤150ppm/°C

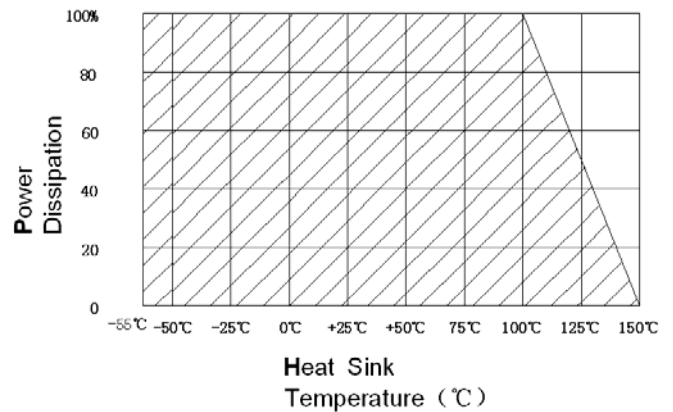


Other Unremarked Dimensions' Tolerance : ±0.25mm

## Ordering Information



## Power Derating



Tel: 86-755-26801033

web: [www.yulongtong.com](http://www.yulongtong.com)

email: [yulongtong@vip.163.com](mailto:yulongtong@vip.163.com)