



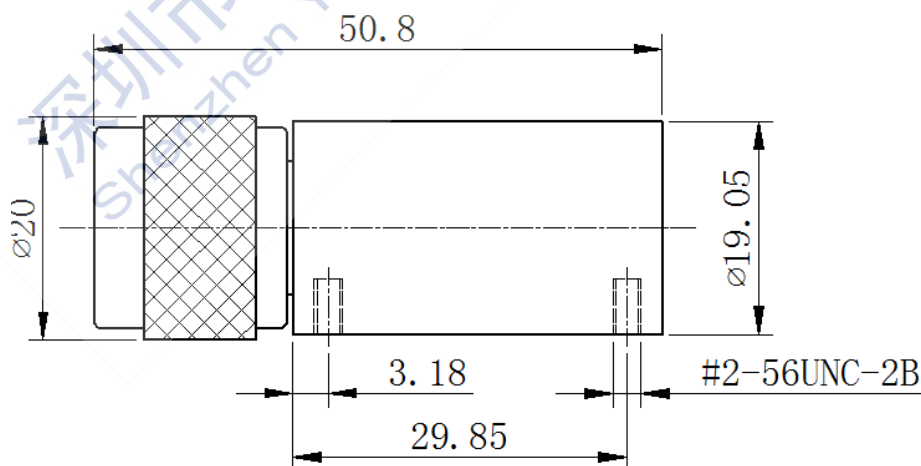
Coaxial Load

Shen Zhen Yulongtong Electron Co.,LTD

Model: DF-RNV-5-1

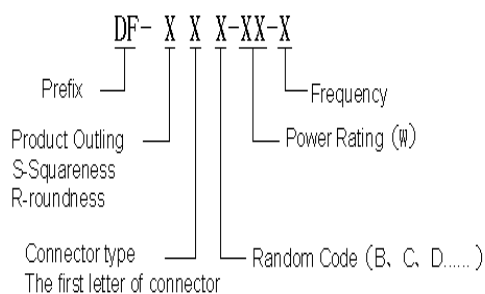
Specifications

- ◆ Frequency Range: DC-1GHz
- ◆ VSWR: 1.06: 1 Max
- ◆ Impedance: 50 Ohms
- ◆ Power Rating: 5W
- ◆ Connector: N male
- ◆ Dimension: $\phi 20 \times 50.8$
- ◆ Temperature Range: $-40^{\circ}\text{C} \sim +85^{\circ}\text{C}$

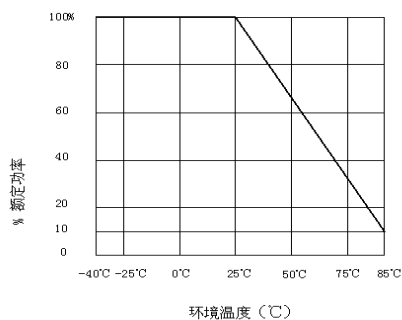


Dimension:mm Dimensions tolerance : $\pm 2\%$

Ordering Information



power derating graphs



Tel: 86-755-26801033 fax: 0755-26832033

web:www.yulongtong.com

email: yulongtong@vip.163.com