



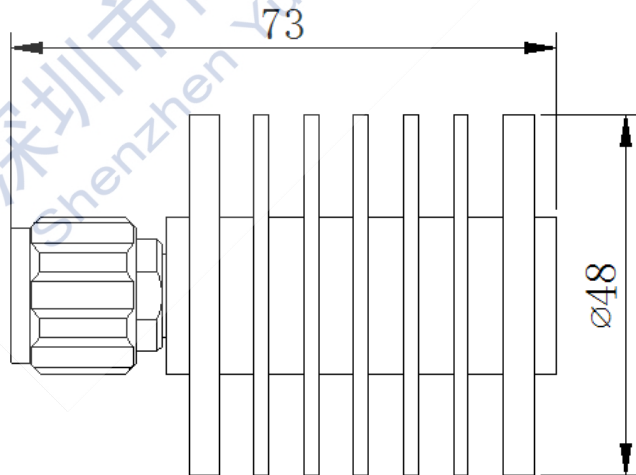
# Coaxial Load

Shen Zhen Yulongtong Electron Co.,LTD

Model: DF-RNQ-25-18

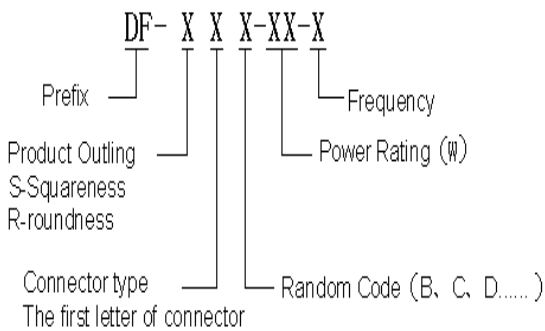
## Specifications

- ◆ Frequency Range: DC-18GHz
- ◆ VSWR: 1.30: 1 Max
- ◆ Impedance: 50 Ohms
- ◆ Power Rating: 25W
- ◆ Connector: N male
- ◆ Dimension:  $\Phi 48 \times 73$
- ◆ Temperature Range:  $-55^{\circ}\text{C} \sim +125^{\circ}\text{C}$

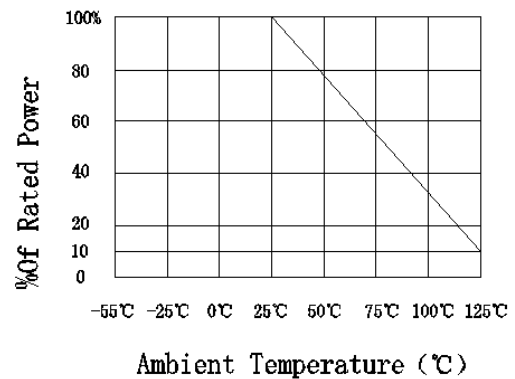


Dimension:mm Dimensions tolerance :  $\pm 2\%$

## Ordering Information



## power derating graphs



Tel: 86-755-26801033

Fax:86-755-26832033

web:www.yulongtong.com

email: yulongtong@vip.163.com